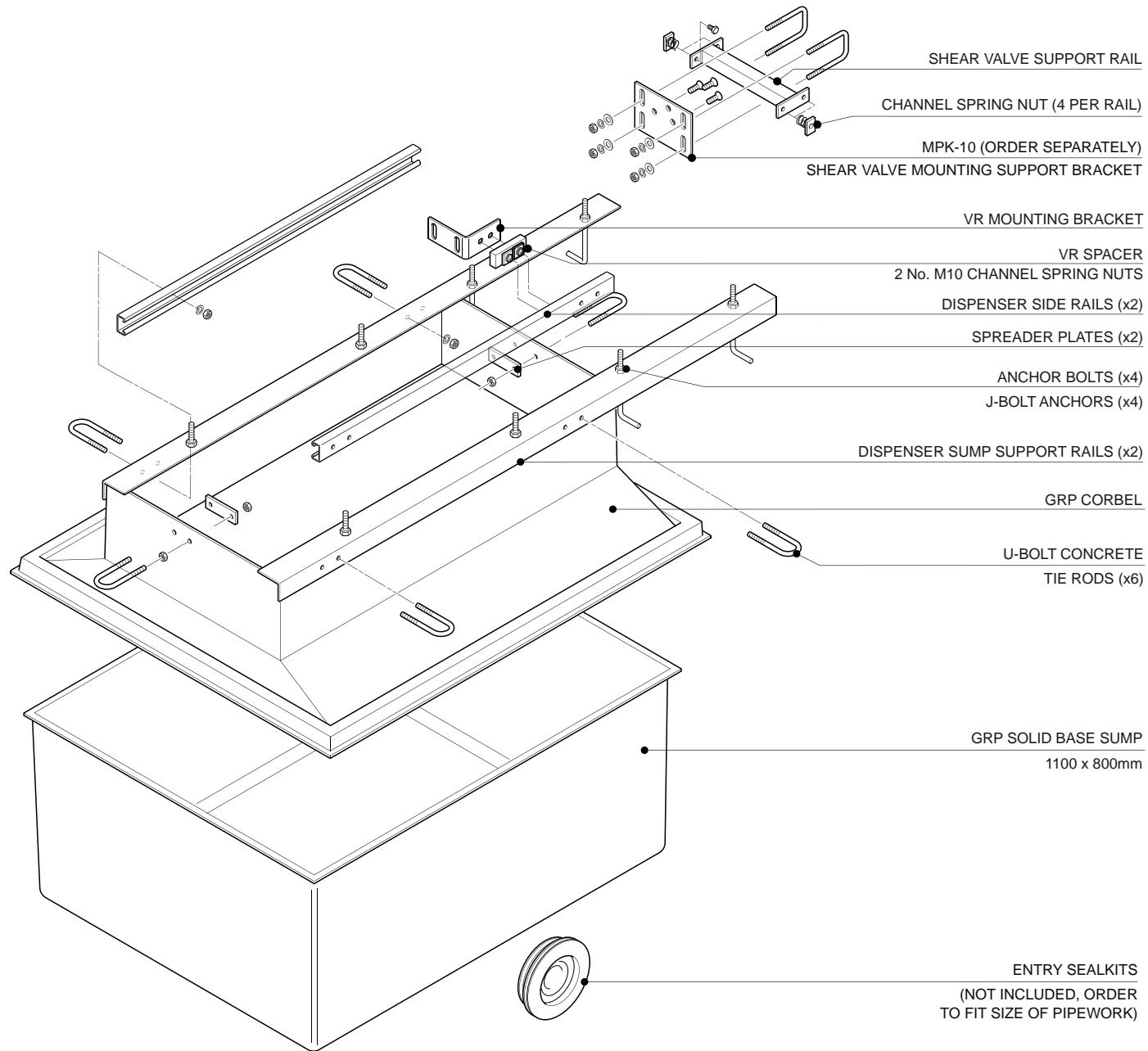


1100mm x 800mm GRP solid base sump and corbel to fit Gilbarco SK700 1/2 dispenser model. Includes dispenser support rails, shear valve rail and all fixings. KPS pipework and Fibrelite entry boots.

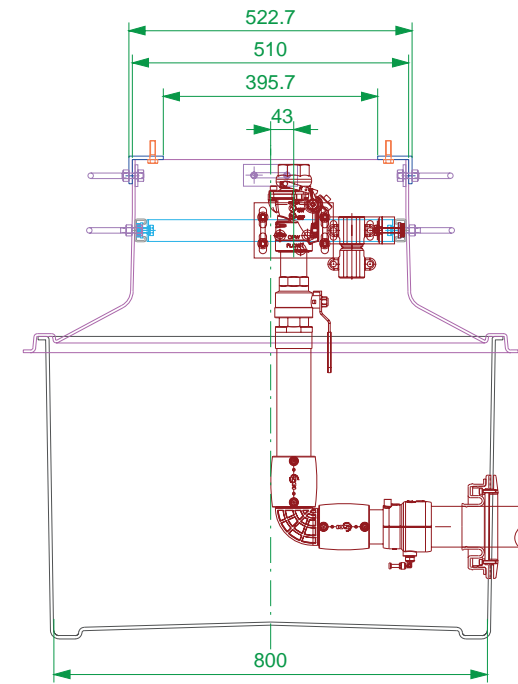
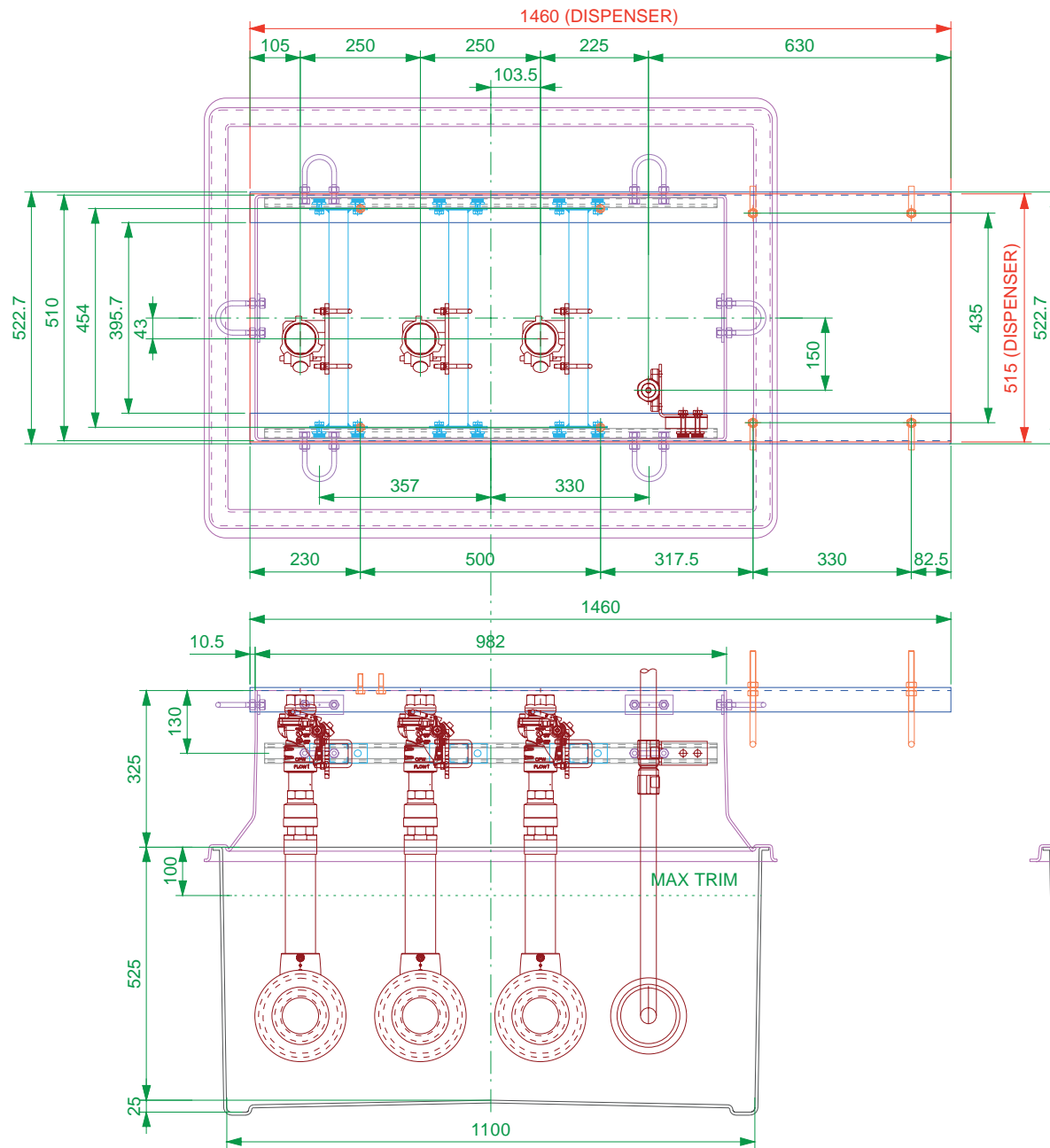
For reference purposes only. This drawing is not a specification. Order against product code only. To enable continuous improvement of our products, the designs and specifications are subject to change without notice.



1100mm x 800mm GRP solid base sump and corbel to fit Gilbarco SK700 1/2 dispenser model. Includes dispenser support rails, shear valve rail and all fixings. KPS pipework and Fibrelite entry boots.

For reference purposes only. This drawing is not a specification. Order against product code only. To enable continuous improvement of our products, the designs and specifications are subject to change without notice.

**FIBRELITE**   
PART OF OPW A  COMPANY



1100mm x 800mm GRP solid base sump and corbel to fit Gilbarco SK700 1/2 dispenser model. Includes dispenser support rails, shear valve rail and all fixings. KPS pipework and Fibrelite entry boots.

For reference purposes only. This drawing is not a specification. Order against product code only. To enable continuous improvement of our products, the designs and specifications are subject to change without notice.

