

Frontier AdBlue®

- ✓ Available for cars, trucks, or both
- ✓ Available as standalone AdBlue® dispenser or diesel combi
- ✓ Models from 1-hose/1-grade to 4-hose/2-grade with up to 4 displays
- ✓ Industry leading electromagnetic flow meter without drift and moving parts
- ✓ Patented hose heating system allows operating temperature down to -25°C



Our AdBlue® range of dispensers for cars and/or trucks demonstrates Gilbarco Veeder-Root's commitment to introducing environmentally friendly fuels at the forecourt.



Reliable and durable

The Frontier AdBlue® dispenser is a cost-effective solution that offers a quality construction with a reliable and robust structure for optimum strength. Powder coated, galvanised steel metal panels protect the dispenser against weather and scratches. We use best in class components across all of our dispenser range, together with Elaflex hoses and nozzles to ensure maximum durability of our products.

Patented hose heating

Our AdBlue® dispenser is available with an Integrated Heating System. The most efficient and future proof heating system consists of our patented hose heating system, temperature sensor and heater inside the hydraulic. It is designed for the lowest maintenance and reduced total cost of ownership.

Why Frontier AdBlue®?

Tighter European emission limits for vehicles have strongly increased the demand for AdBlue® filling stations. However, AdBlue® can destroy filling equipment, as it is highly corrosive, temperature sensitive and crystallises in contact with air.

Gilbarco Veeder-Root's Frontier AdBlue® dispensers feature an electromagnetic flowmeter, a highly advanced and corrosion-proof measurement system. Unlike other brands of AdBlue® dispenser these flow meters provide accurate measurement without any moving parts or drifts, thus remaining unaffected by crystals and enabling damage free fuelling and eliminating fuel losses.

The Frontier AdBlue® is available with Integrated Heating System. Our patented hose heating system avoids the need for doors or covers while still keeping the hose heated. The heating power automatically adjusts to the temperature of the environment, minimising heating cost while maintaining operating temperature. A nozzle cover is available when hose break away is selected.

Maximum security

Gilbarco Veeder-Root's Frontier AdBlue® dispenser uses a secure and proprietary interface for maximum security.

Unrivalled flexibility

The Frontier AdBlue® dispenser offers complete flexibility with different flow rates, and 1-4 hose configurations available. The Frontier AdBlue® dispenser is also compatible with Fleet Management systems.



Advanced metering system

The Frontier AdBlue® incorporates a highly advanced metering system: an electromagnetic inductive flow meter. It has no moving parts to ensure it will not block and maximises uptime, while providing very accurate measurement and eliminating fuel loss through drift.



Versatile, comprehensive dispensing

Choose from Standalone, Combi or Integrated configurations to build the right solution for your forecourt.



Proven even in the toughest conditions

AdBlue® freezes at -11°C. Frontier AdBlue® installations have a proven track record for high functionality in countries with extreme winters and at temperatures as low as -25°C.

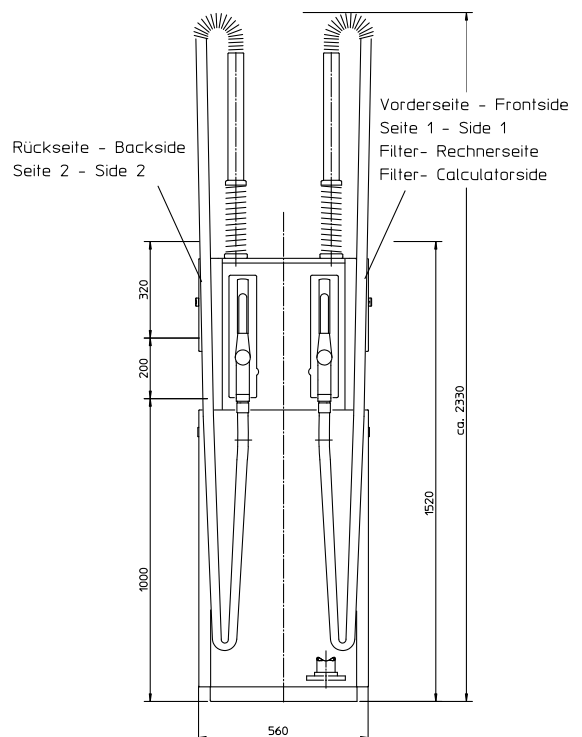
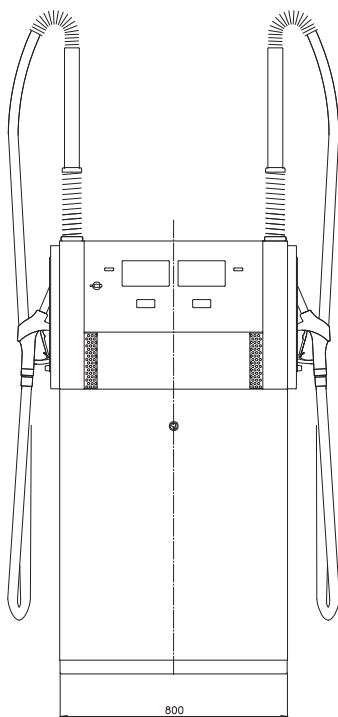


Fail safe

The pressure delivery system avoids crystallisation whilst dispenser hydraulics are corrosion proof, and automatic heating prevents AdBlue® from freezing.

Technical Specifications & Standard Features

Hydraulics	Electromagnetic flow meter for AdBlue® Stainless steel internal piping and connections Non return valve and filter AdBlue delivery – Pressure Flow rate for truck AdBlue 4L-40L per minute Flow rate for car AdBlue 2,5L-10L per minute Power supply: 230V (+10% -15%), 50Hz ± 2Hz	
Electronics	Calculator: Gilbarco Apollo EU LCD display (backlit) Interface: 2-wire, IFSF-LON, ATCL, PUMA LAN, Multiwire (Pulse), ER3	
Mechanical	Electronics – Stainless steel valves Housing – Powder coated steel Hose Reach 3,70m Hose management – Hose mast as standard Nozzles – ZVA	
Options	Elaflex swivel Breakaway coupling Electromechanical totalizers Nozzle adaptor AdBlue preset Stainless steel cladding Stainless steel installation kit Enhanced corrosion protection Frontier standard options	
Versions	Base (not heated)	Heated
Hydraulic cabinet heater	not included	included
Hose heater	not included	Hose heating system included
Power consumption heating system	not included	250 Watt (per AdBlue hose)
Min. operating temperature	down to -10°C	down to -25°C
AdBlue breakaway	optional	optional
Nozzle cover	optional	optional (needs to be selected with breakaway option)
Certifications	MID & Atex (Optional)	MID & Atex (Optional)



Configurations and Combinations

Gilbarco Veeder-Root's Frontier AdBlue® dispensers are available in island orientated, single or double sided configuration, as standalone, or in combination with diesel, and with different options for nozzle protection and heaters suited to different climatic conditions. They can also be integrated with above ground tanks.

Standard features	Options	Technical specifications
Single grade or two grades	High Flow (70 lpm) & Ultra High Flow (120 lpm)	Motor 3 Phase Supply 400V +/- 10%, 50 Hz +/- 2Hz
Max. 2 simultaneous fuelling positions	40/70 speed select button	Positive displacement meter with Electronic Calibration for Diesel and flow meter for AdBlue®
AdBlue®, Diesel, Biodiesel	Stainless steel front panels & hydraulic cabinet	15 minute display hold in case of power failure
Up to 4 hoses & 4 displays	Special colours	Communication Protocols: IFSF, 2-Wire, Pumalan, ER3, ATCL , Multiwire (Pulse)
Stainless Steel Hose mast	Base frame / leakage plate	Environmental: -25°C to +45°C
Combi main LCD displays with dedicated PPU's	Enhanced Corrosion Protection	Accuracy +/- 0.5%
Gilbarco Electronics	Explosion Proof Junction Box	ATEX, MID, CE Approvals
Gilbarco 2 wire communication protocol	10 button Cash & Volume Preset Keypad	
Elaflex Hanging Hardware	Ecometer for Diesel	
Electromagnetic flow meter for AdBlue and C+ piston meter with e-calibration for diesel	Automatic Temperature Compensation for Diesel	
Gilbarco Pumping Unit for Diesel	Nozzle Boot Locks	
Powder Coated Galvanised Steel	7 digit Electro Mechanical non-resettable totalizers	
RAL Grey colour for side panels & head	For use with STP for Diesel	
Hydraulic panels available in all standard colours	Volume only display	



Fuelling the future, today.

Our experience and expertise in the fuelling industry means we understand a forecourt's business and consumer needs better than anybody. Gilbarco Veeder-Root stands for quality, innovation and seamless integration.

To find out more about how you could grow your business with our industry leading dispensing solutions, speak to your relationship manager or visit www.gilbarco.com/eu

Email: euenquiries@gilbarco.com

